


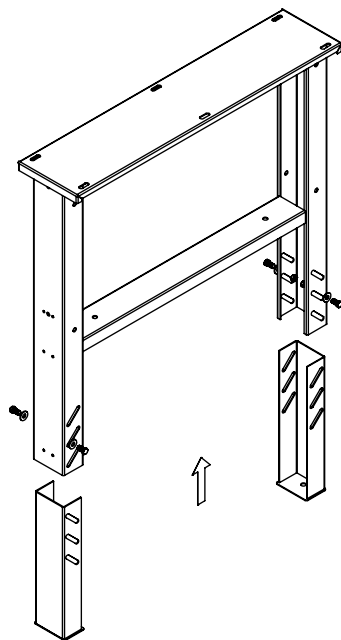
A.  M8x15x8 pcs

B.  M8x20 pcs

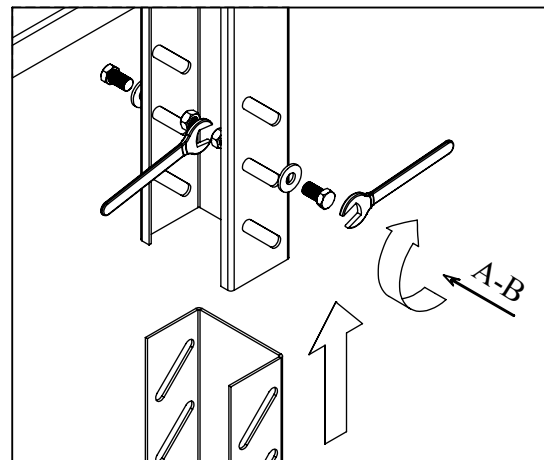
C.  M8x30x12 pcs

D.  $\varnothing 8.5 \times 20$ pcs

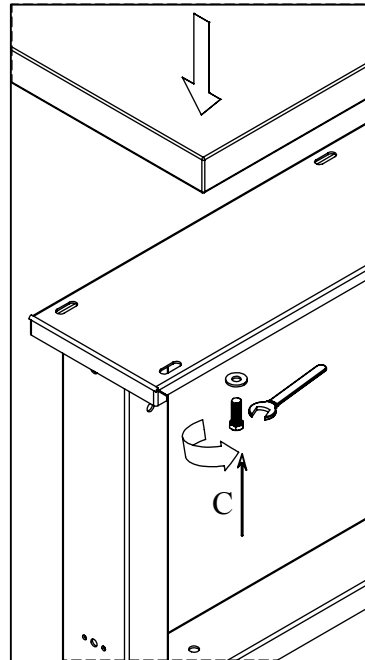
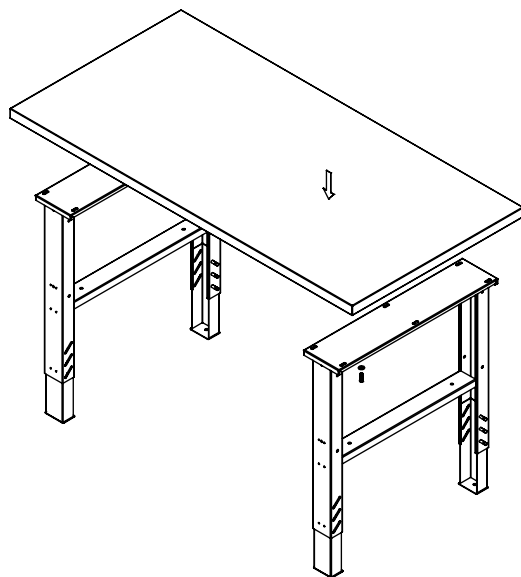
E.  Wrench 13x1 pcs



Step 1



Step 2



Step 3

